

Juni 2013

IGNITION LEADS

AUTOMOTIVE BULBS

AUTOMOTIVE FUSES

IGNITION COILS

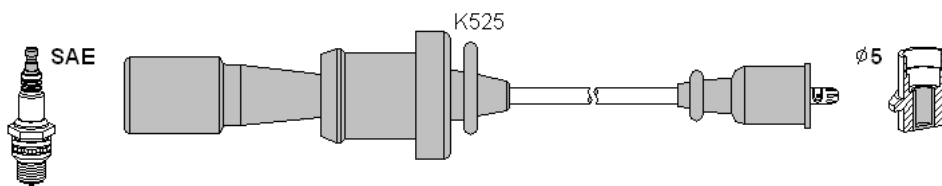
page 1/5

new sets ,
applications



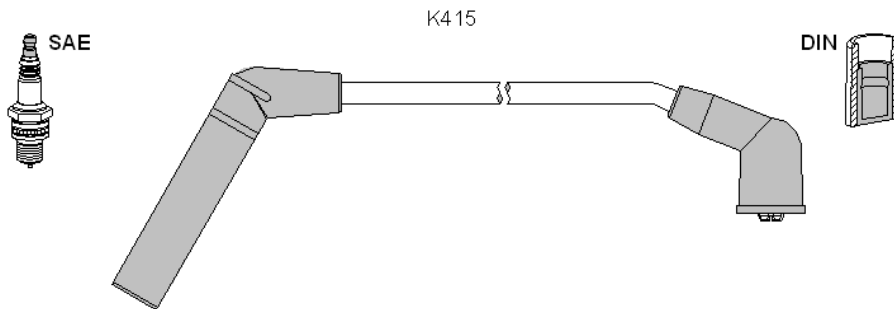
ALFA ROMEO	T353C	
GEELY	T379B	
GREAT WALL	T370B	
HYUNDAI	T309B	
KIA	T309B	
LANCIA	T791B	
LANDROVER	T365C	
MG	T365C	
MITSUBISHI	T295P	
NISSAN	T319B	
RENAULT	T319B	T383B
ROVER	T365C	T366B
TOYOTA	T402P	

T295P K525 23 43 + + - SEMIDIRECT SET coil CL582

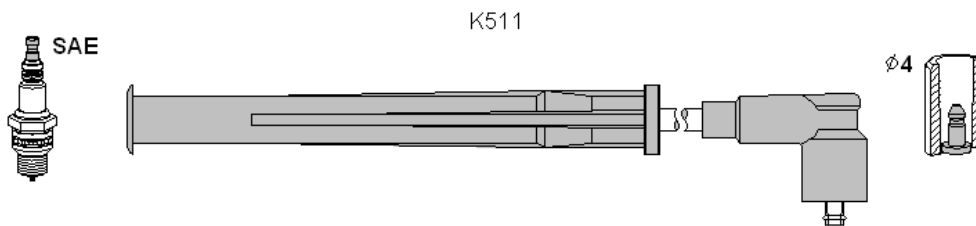


MITSUBISHI		from	to	kW	ccm	cyl	engine
LANCER VI (CJ-CP_)	2.0 16V Turbo EVO	08.1996	08.2003	206	1997	4	4G63 T
LANCER CARGO I Combi	2.0 16V	09.2003	12.2007	99	1997	4	4G63
OUTLANDER I (CU_W)	2.0 16V 4WD	05.2003	10.2006	93	1997	4	4G63
OUTLANDER I (CU_W)	2.0 16V	05.2003	10.2006	100	1997	4	4G63
OUTLANDER I (CU_W)	2.0 16V 4WD	05.2003	10.2006	100	1997	4	4G63
OUTLANDER I (CU_W)	2.0 16V Turbo 4WD	04.2004	10.2006	148	1997	4	4G63 T
OUTLANDER I (CU_W)	2.0 4WD	05.2003	10.2006	177	1997	4	

new sets 06-2013

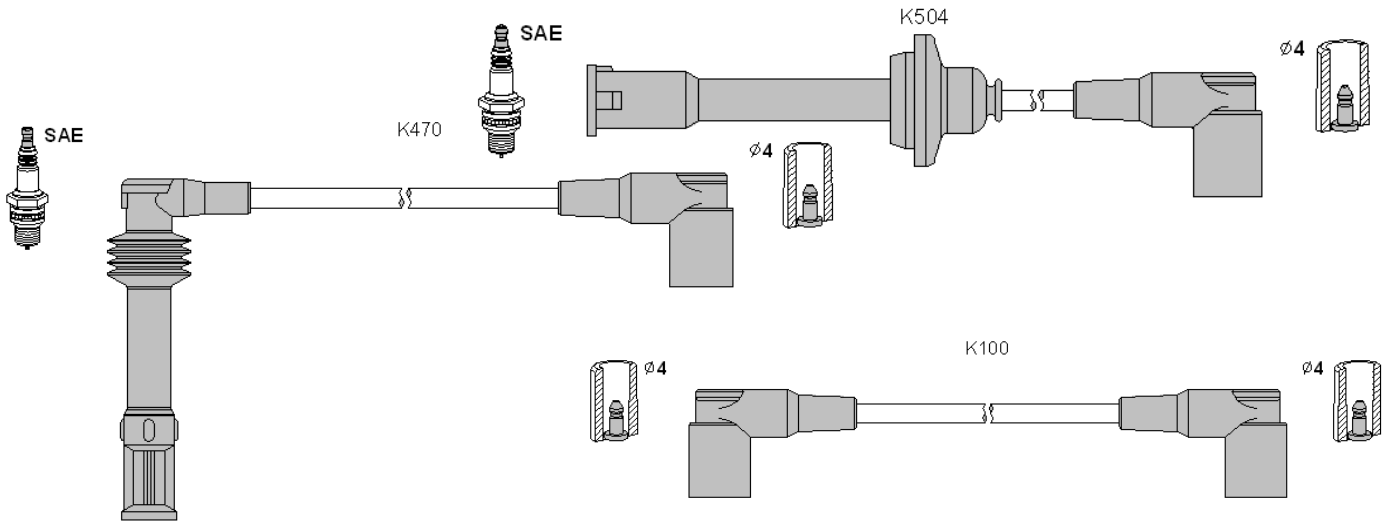
T309B K415 28 30 40 44 -


HYUNDAI		from	to	kW	ccm	cyl	engine
ATOS (MX)	1.0 i	02.1998	03.2002	40	999	4	G4HC
ATOS (MX)	1.0 i	03.2001		43	999	4	G4HC-E
ATOS PRIME (MX)	1.0 i	08.1999		40	999	4	G4HC
ATOS PRIME (MX)	1.0 i	03.2001		43	999	4	G4HC-E
GETZ (TB)	1.1	09.2002	09.2005	46	1086	4	G4HD
i10	1.1	01.2008		49	1086	4	G4HG
i10	1.1	04.2011		51	1086	4	G4HG
KIA							
PICANTO (BA)	1.0	11.2009		46	999	4	G4HE

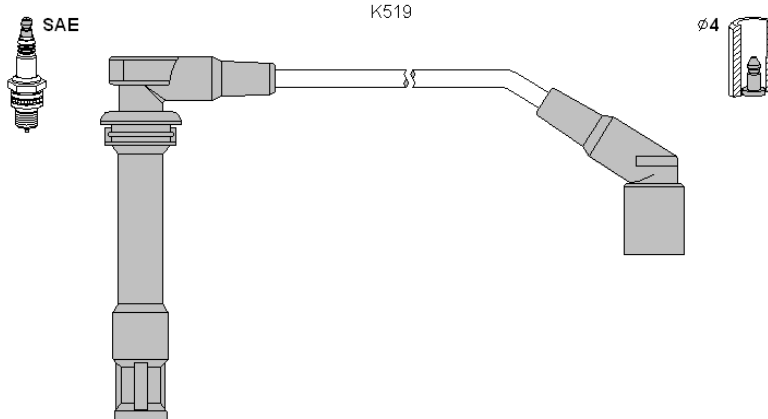
T319B K511 35 37 40 50 -


NISSAN		from	to	kW	ccm	cyl	engine
KUBISTAR (X76)	1.2	08.2003		44	1149	4	D7F 764
KUBISTAR Box	1.2	08.2003		44	1149	4	D7F 764
RENAULT							
CLIO II (BB0/1/2_, CB0/1/2_)	1.2	10.1999		43	1149	4	D7F 766/D7F 720
CLIO II (BB0/1/2_, CB0/1/2_)	1.2	06.2001	10.2003	55	1149	4	
CLIO II Box (SB0/1/2_)	1.1	10.1999		43	1149	4	D7F 720/D7F 726
KANGOO (KC0/1_)	1.2	10.1999		43	1149	4	D7F 710/D7F 744
KANGOO Express (FC0/1_)	1.2	10.1999		43	1149	4	D7F 710/D7F 744
TWINGO (C06_)	1.2	10.1999		40	1149	4	D7F 700/D7F 701
TWINGO (C06_)	1.2	10.1999		43	1149	4	D7F 700/D7F 702
TWINGO (CN0_)	1.2	03.2007		43	1149	4	D7F 800

new sets 06-2013

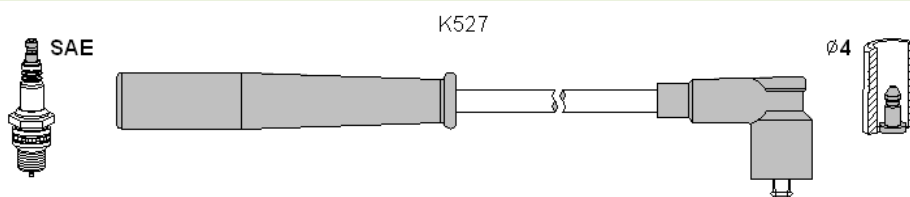
T353C K504 70 88 97 K470 32 48 60 K100 27


ALFA ROMEO		from	to	kW	ccm	cyl	engine
164 (164)	3.0 V6	09.1992	09.1998	132	2959	6	AR 66303/AR 64305

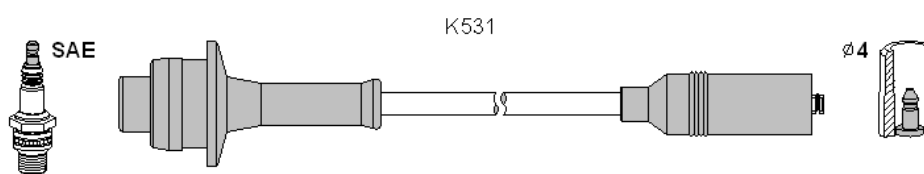
T365C K519 40 42 63 + + + - SEMIDIRECT SET


LANDROVER		from	to	kW	ccm	cyl	engine
FREELANDER (LN)	2.5 V6	11.2000	10.2006	130	2497	6	25 K4F
MG							
MG ZS	180	07.2001	04.2005	130	2497	6	25 K4F
MG ZS Hatchback	180	07.2001	10.2005	130	2497	6	25 K4F
MG ZT	180	01.2003	07.2005	130	2497	6	25 K4F
MG ZT- T	180	01.2003	07.2005	130	2497	6	25 K4F
ROVER							
45 (RT)	2.0 V6	02.2000	05.2005	110	1997	6	20 K4F
45 Sedan	2.0 V6	02.2000	05.2005	110	1997	6	20 K4F
75 (RJ)	2.0 V6	02.1999	05.2005	110	1997	6	20 K4F
75 (RJ)	2.5 V6	02.1999	10.2001	129	2497	6	KV 6
75 (RJ)	2.5 V6	10.2001	05.2005	130	2497	6	25 K4F
75 Tourer (RJ)	2.0 V6	08.2001	05.2005	110	1997	6	20 K4F
75 Tourer (RJ)	2.5 V6	08.2001	05.2005	130	2497	6	KV 6

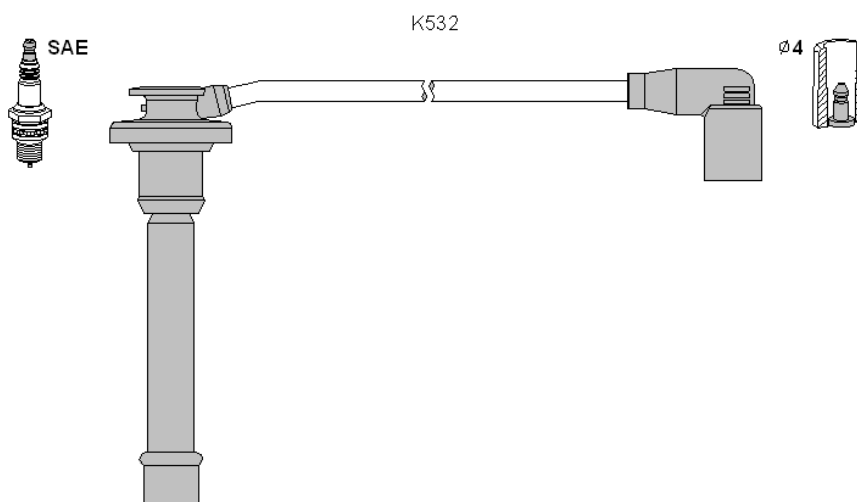
new sets 06-2013

T366B K527 21 19 19 21 -


ROVER		from	to	kW	ccm	cyl	engine
MINI MK I	1300	10.1996	11.2000	46	1275	4	12 A2E/12 A2L

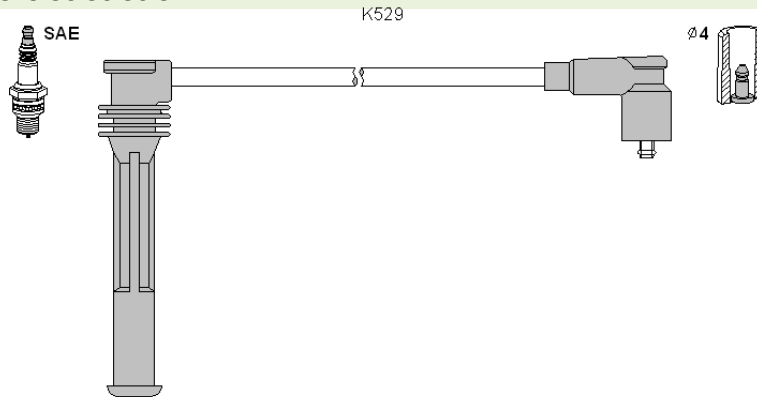
T370B K531 25 25 31 44 -


GREAT WALL		from	to	kW	ccm	cyl	engine
DEER G	2.2i	2004		78	2237	4	GW491QE
PEGASUS SUV	2.2i	2004		78	2237	4	GW491QE
RUV	2.2i	2004		78	2237	4	GW491QE
SAFE SUV	2.2i	2004		78	2237	4	GW491QE
SAILOR	2.2i	2004		78	2237	4	GW491QE
SING SUV	2.2i	2004		78	2237	4	GW491QE
SOCOOL	2.2i	2004		78	2237	4	GW491QE
SOKOL C3	2.2i	2004		78	2237	4	GW491QE

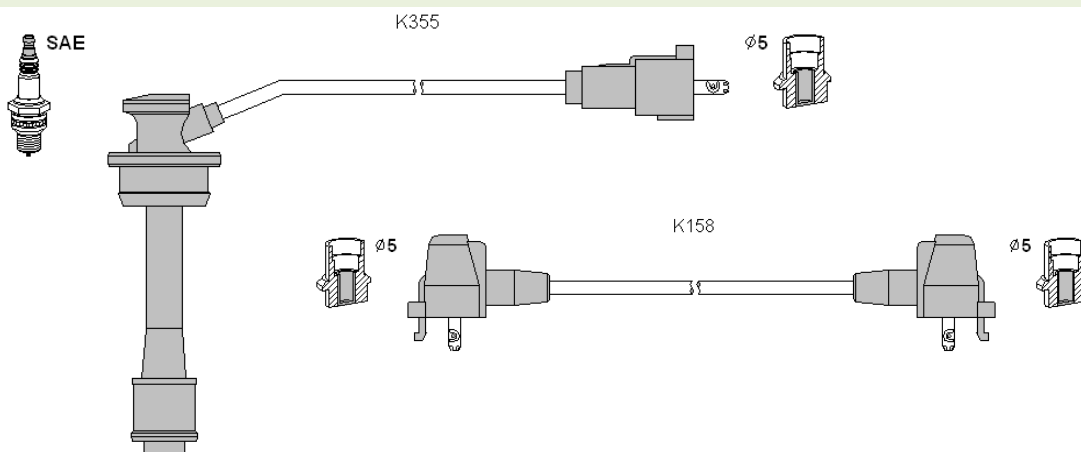
T379B K532 53 46 34 22 -


GEELY		from	to	kW	ccm	cyl	engine
CK Sedan	1.5i 16V	2005	2009	69	1498	4	MR479QA
MK 1	1.5i 16V	2005	2009	69	1498	4	MR479QA
MK 2	1.5i 16V	2005	2009	69	1498	4	MR479QA
OTAKA	1.5i 16V	2005	2009	69	1498	4	MR479QA

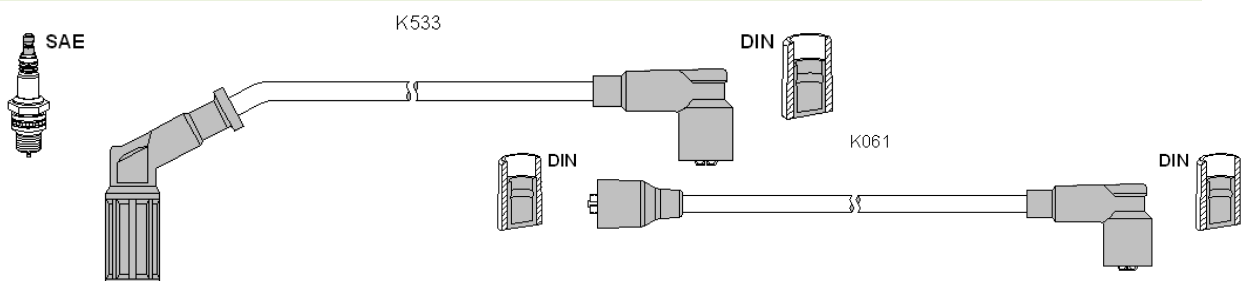
new sets 06-2013

T383B K529 56 36 30 37 -


RENAULT		from	to	kW	ccm	cyl	engine
CLIO II (BB0/1/2_, CB0/1/2_)	2.0 16V Sport	02.2000		124	1998	4	F4R 730
CLIO II (BB0/1/2_, CB0/1/2_)	2.0 16V Sport	01.2004		132	1998	4	F4R 738

T402P K355 31 46 50 61 K158 30


TOYOTA		from	to	kW	ccm	cyl	engine
CELICA Coupe (AT18_, ST18_)	2.0 Turbo 4WD	10.1989	11.1993	150	1998	4	3S-GTE
CELICA Coupe (AT18_, ST18_)	2.0 Turbo 4WD	10.1989	11.1993	153	1998	4	3S-GTE

T791B K533 26 28 31 40 K061 48


LANCIA		from	to	kW	ccm	cyl	engine
Y10 (156)	1.3 i.e. Fire	02.1989	12.1995	53	1297	4	156 B.000/146 A 5.046

 TESLA BLATNÁ, a.s.
 Palackého 644
 388 15 Blatná
 Czech Republic